

## Titanium 12 Points Flange Nuts

Baoji Xinlian Titanium Industry Co.,Ltd is one of the leading China titanium twelve square nuts, titanium 12 point nuts, titanium 12 points flange nuts manufacturers and suppliers, and also a professional company equipped with factory, welcome to wholesale titanium twelve square nuts, titanium 12 point nuts, titanium 12 points flange nuts, titanium 12 corner flange nuts from us.

## Titanium Twelve Square Nuts

/Titanium 12 Points Flange Nuts

/Titanium 12 Point Nuts

/Titanium 12 Corner Flange Nuts

Material: Pure titanium, Titanium alloy

Grade: Gr1, Gr2, Gr5(Ti6al4v), Gr7, Gr9

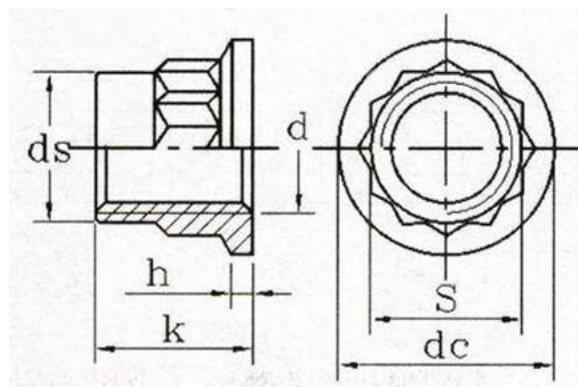
Standard: JB/T 6687-1993

Specification: M6-M30

Surface Treatment: Polishing, Anodizing, Nitriding

Color: Ti nature, Gold, Blue, Green, Purple, Black, Rainbow

JB/T 6687-1993  
12 corner flange nuts



Unit: mm

d	ds		k			s		h		dc	
	max	min	nominal	max	min	max	min	max	min	max	min
M6	7.1	7.04	9	9.18	8.82	8	7.88	1.2	0.95	11	10.82
M8	9.4	9.34	11	11.21	10.79	10	9.85	1.4	1.15	13	12.82
M10	11.5	11.44	12	12.21	11.79	12	11.85	1.6	1.35	16.5	16.32
M12	13.5	13.43	17	17.21	16.79	14	13.82	2.5	2.25	21	20.79
M16	17.7	17.63	20	20.26	19.74	19	18.79	2.5	2.25	26.7	26.49
M20	21.9	21.82	23	23.26	22.74	24	23.79	3	2.75	31.2	30.95
M24	26	25.92	32	32.31	31.69	30	29.79	4.5	4.2	41.3	41.05
M27	29	28.92	34	34.31	33.69	32	31.75	4.5	4.2	41.3	41.05